

Bullet Rock Augers



DrillingWorld's Bullet Rock Augers are built to the highest quality, by our skilled engineers.

Tough and Durable, to meet all of your drilling needs.

Available from 6" to 60"

Numerous Hub Options.

Custom Rock Augers Available,
Contact DrillingWorld for details.



Replacement Bullet Teeth & Pockets can be found in Section 6

www.drillingworld.com

Dirt Augers



DrillingWorld's Dirt Augers are built to the highest quality, by our skilled engineers.

Tough and Durable, to meet all of your drilling needs.

Available from 8" to 60"

Numerous Hub Options.

Custom Dirt Augers Available, Contact DrillingWorld for details.



Replacement Teeth & Pockets can be found in Section 1

Foundation Drilling Buckets



DrillingWorld's Foundation Drilling Buckets are standard in size from 14" to 48"

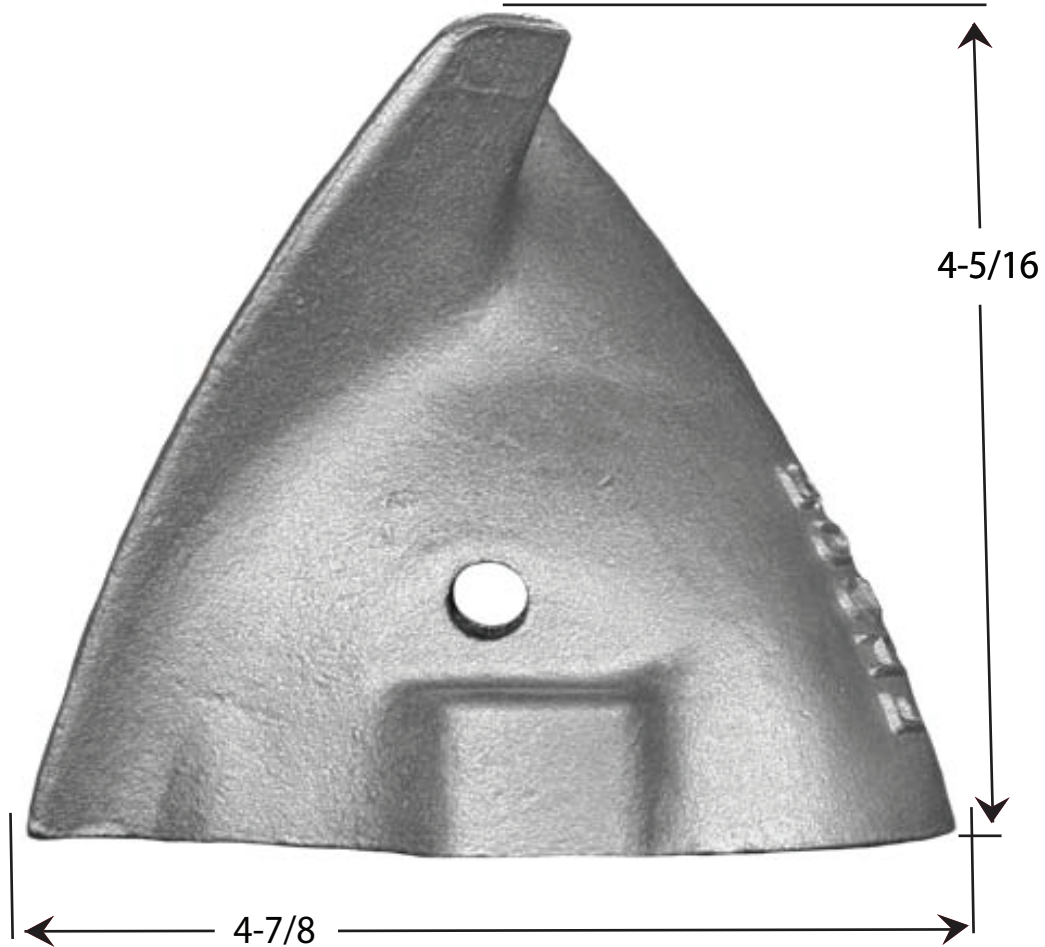
Can be fitted with either hand or fully automatic opening

Numerous Hub Options.

www.drillingworld.com

Dirt Pilot Bits

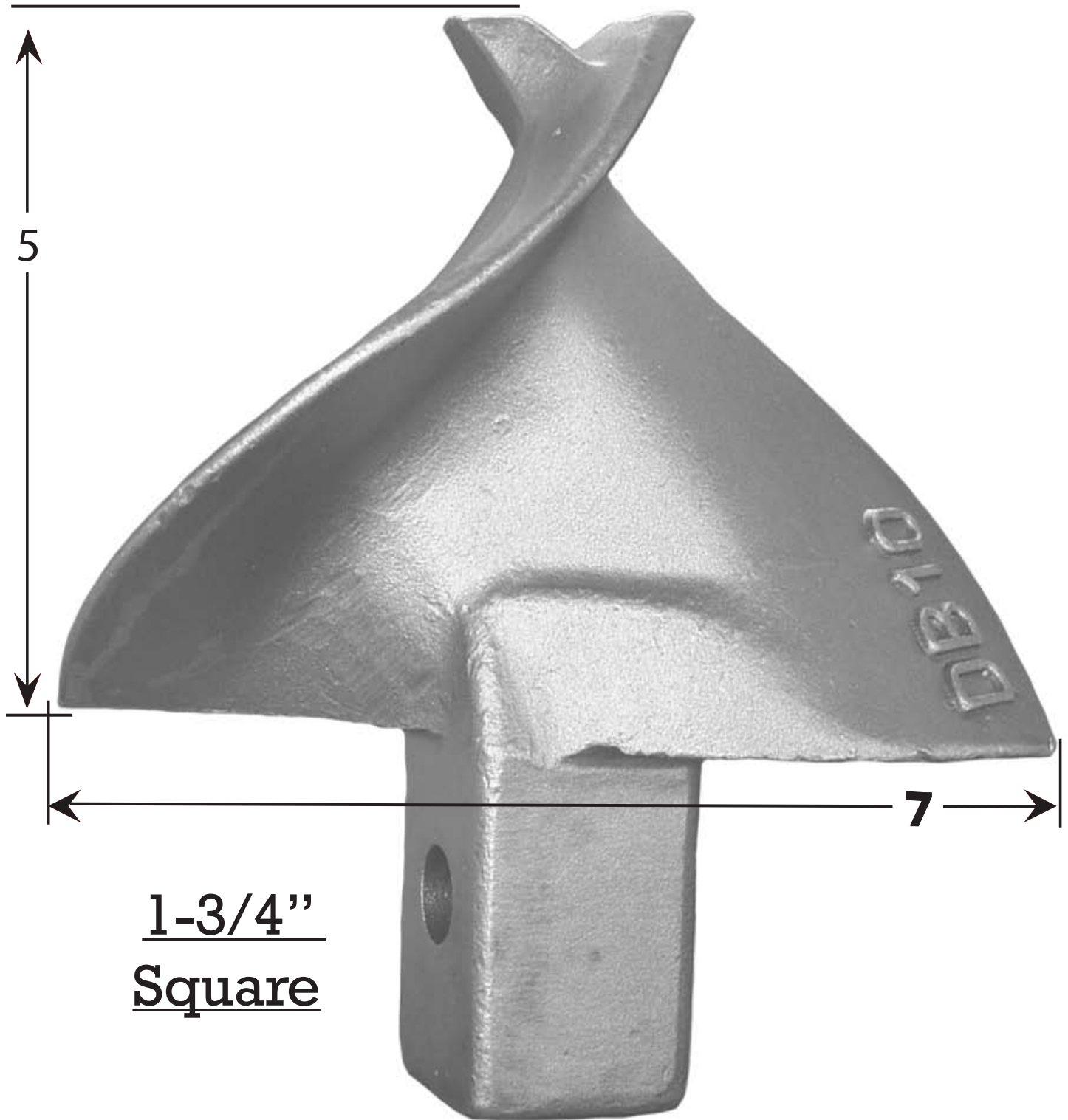
FH205-I



Carbide and Hard Faced Upgrade Available.

Dirt Pilot Bits

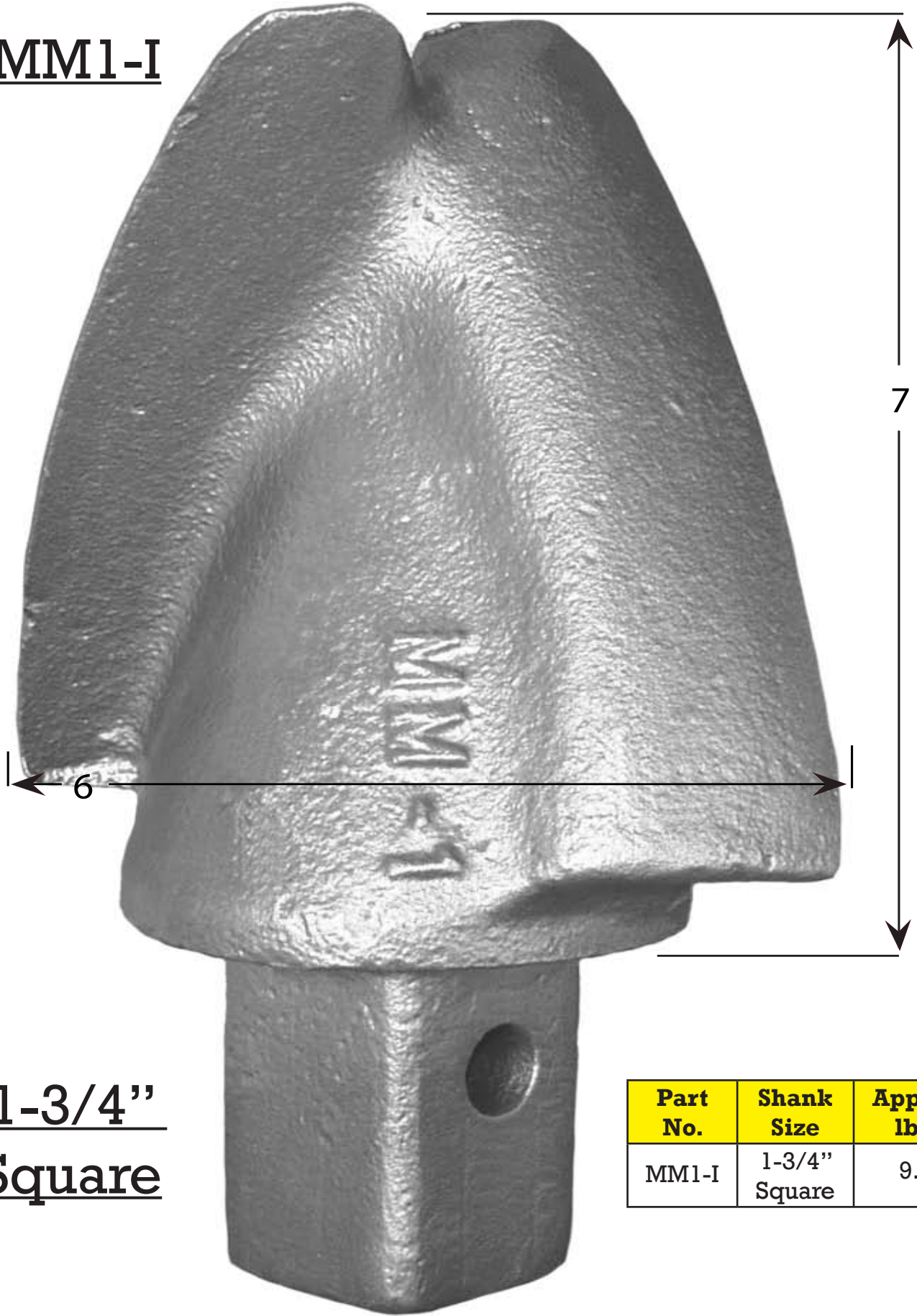
DB10-I



Part No.	Description	Shank Size	Approx lbs.
DB10-I	Stinger	1-3/4" Square	7.3

Dirt Pilot Bits

MM1-I



1-3/4"
Square

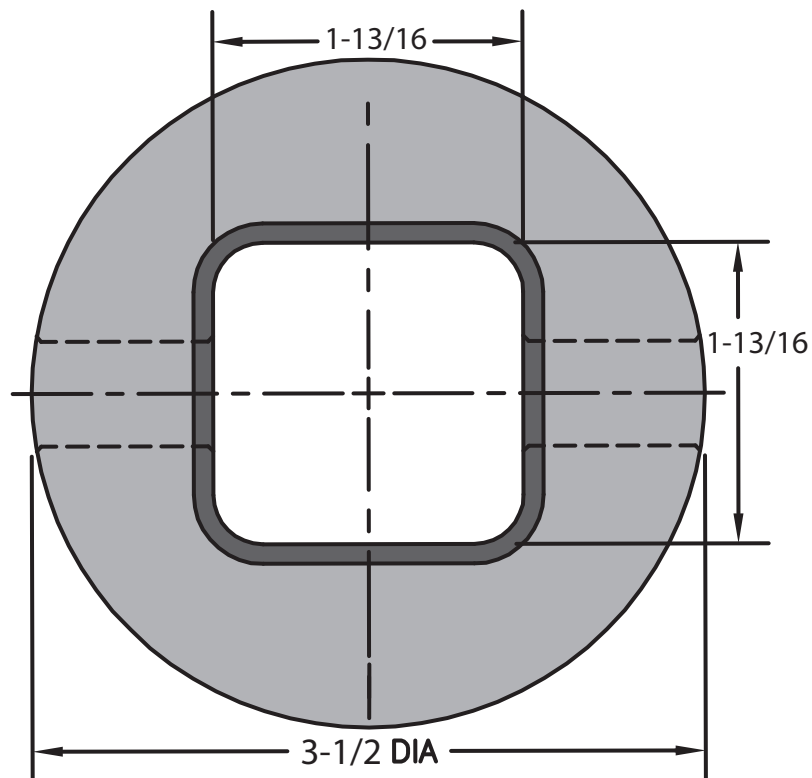
Part No.	Shank Size	Approx lbs.
MM1-I	1-3/4" Square	9.6

Adapter Collars

DB175-I



Part No.	Description	Approx lbs.
DB175-I	Hub 3.5 O.D 1 ³ / ₄ sq.I.D	4.40

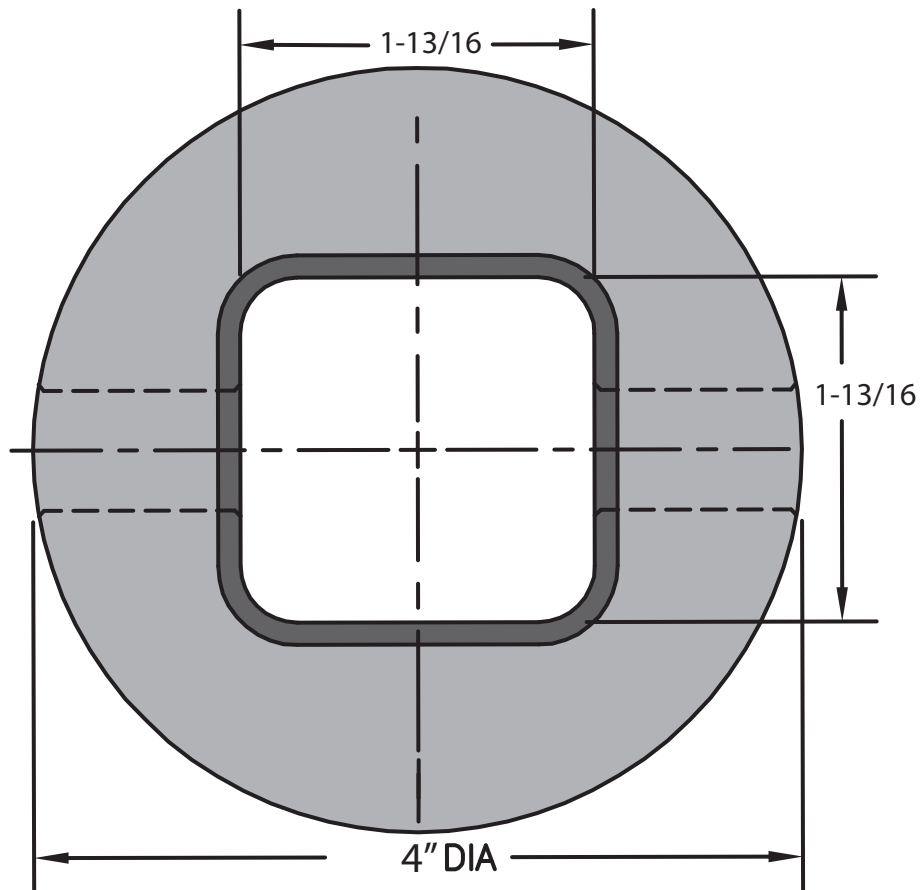


Adapter Collars

DB175A-I

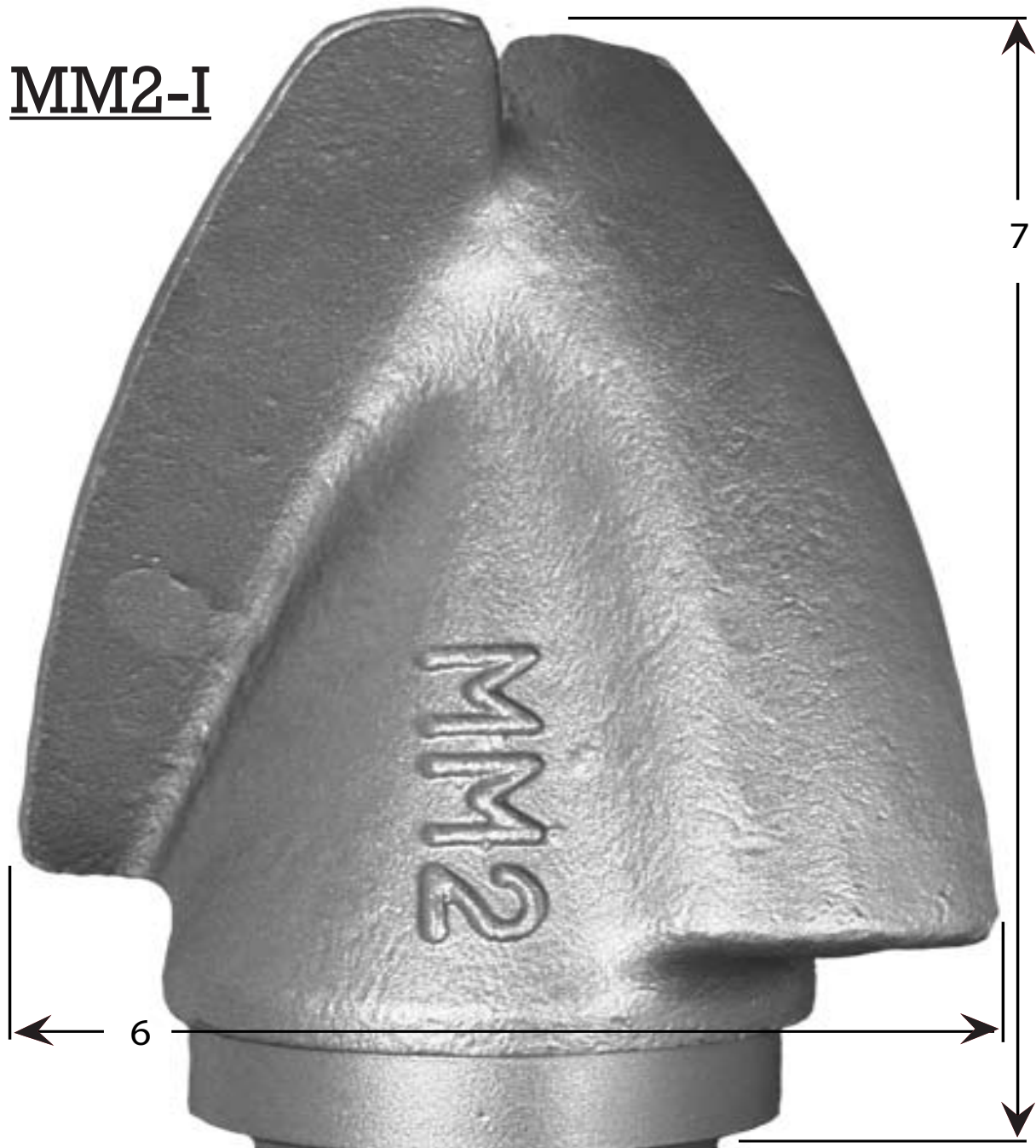


Part No.	Description	Approx lbs.
DB175A-I	Hub 4.0 O.D 1 ³ / ₄ sq.I.D	4.65



Dirt Pilot Bits

MM2-I

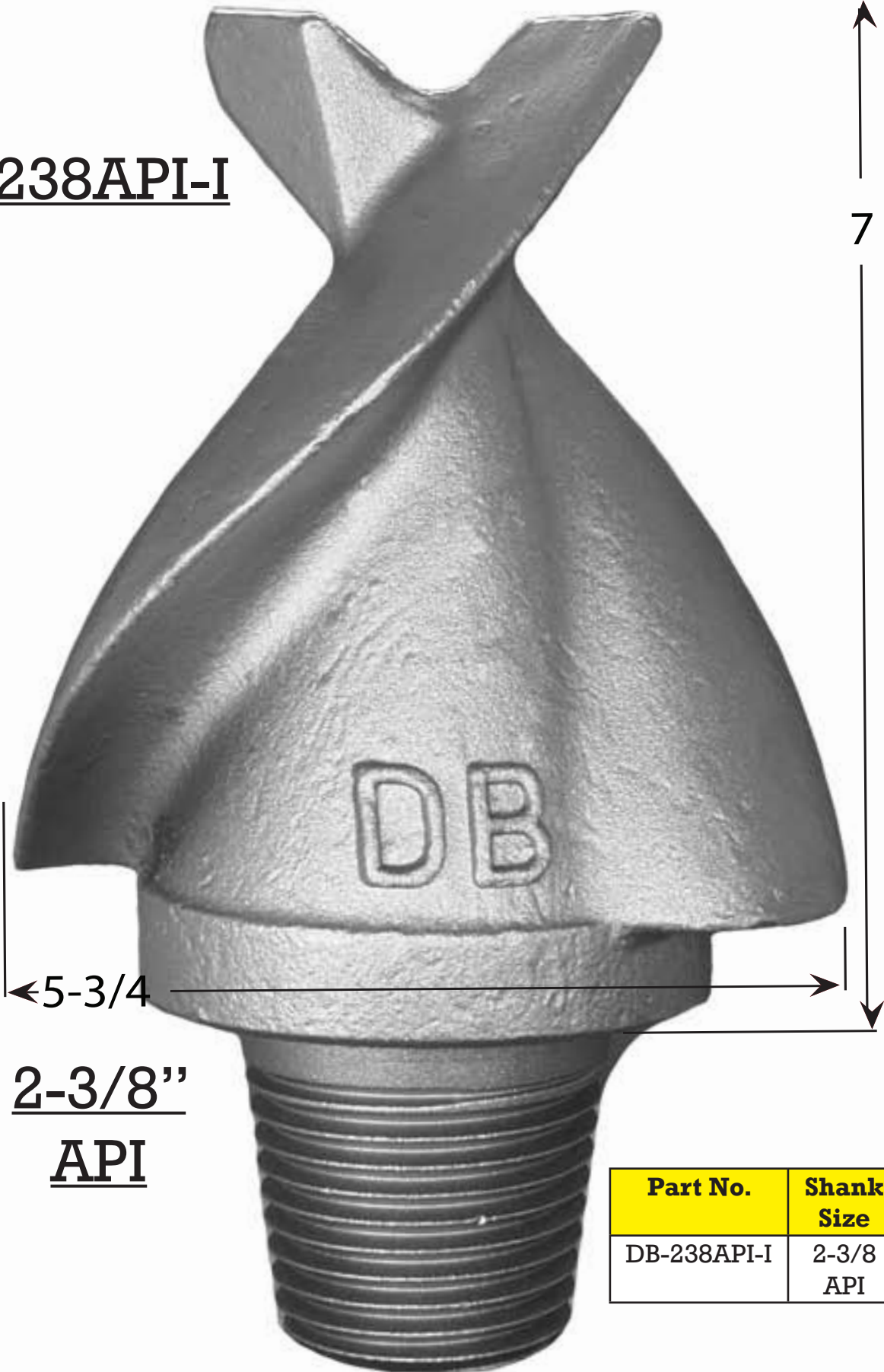


2-3/8"
API

Part No.	Pin Size	Approx lbs.
MM2-I	2-3/8 API	12.0

DB Dirt Pilot Bits

DB-238API-I



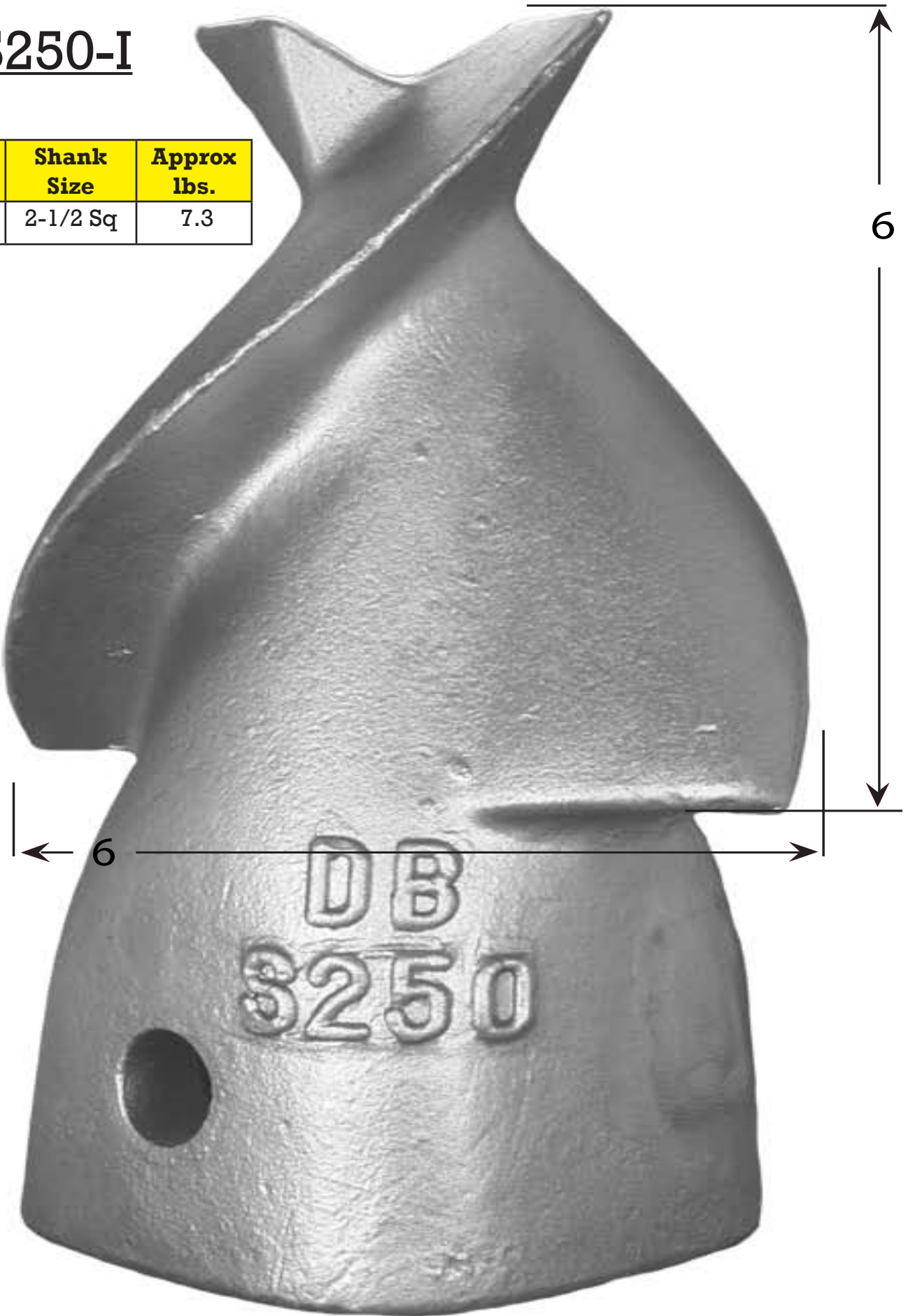
2-3/8"
API

Part No.	Shank Size	Approx lbs.
DB-238API-I	2-3/8 API	15.1

DB Dirt Pilot Bits

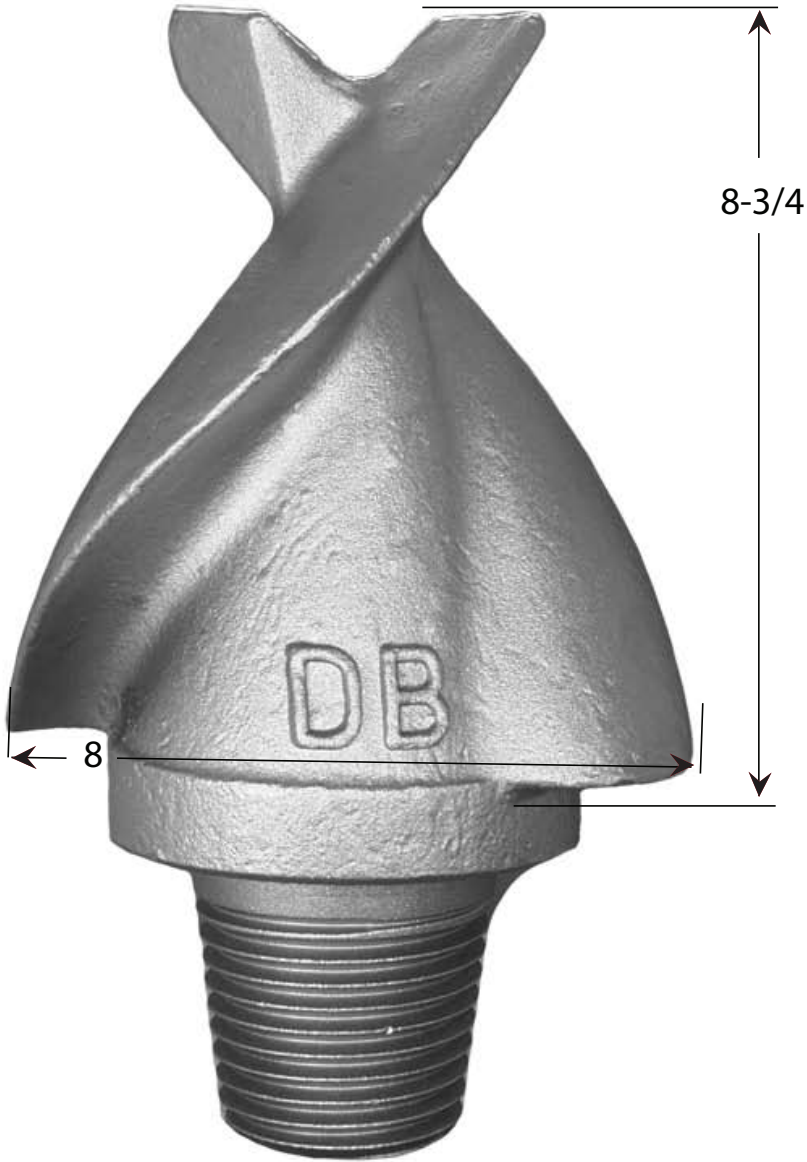
DBS250-I

Part No.	Shank Size	Approx lbs.
DB-S250-I	2-1/2 Sq	7.3

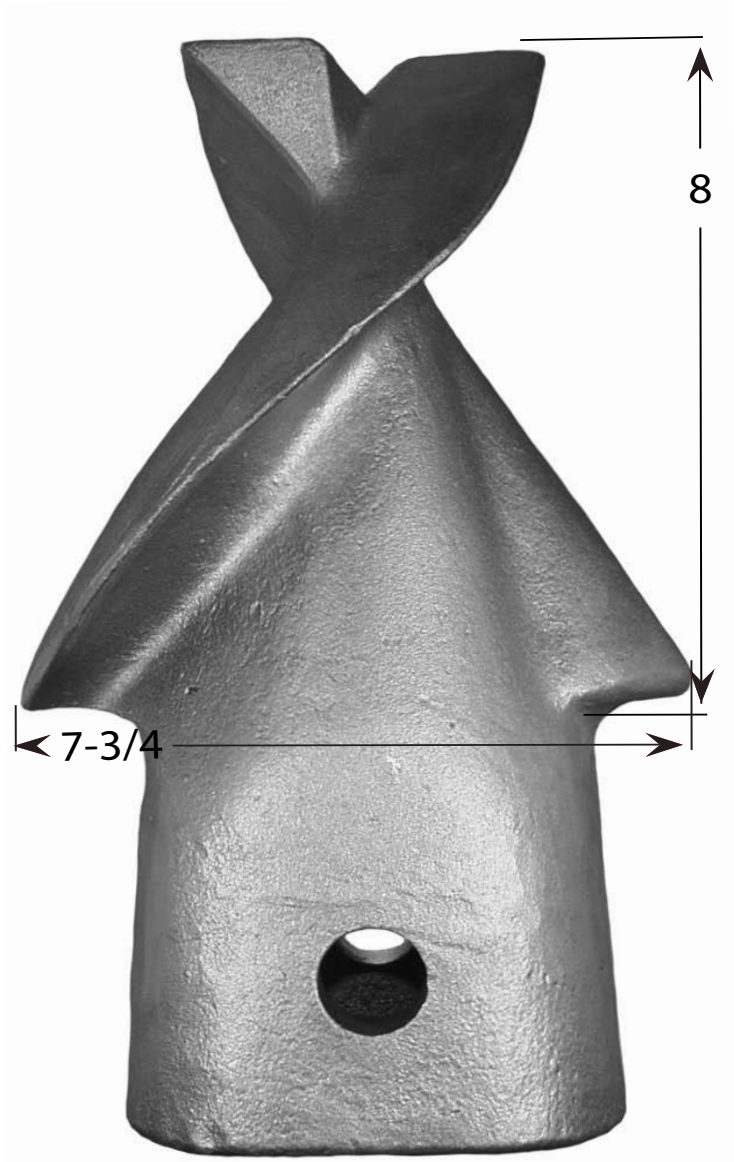


DB Dirt Pilot Bits

DBH-312API-I



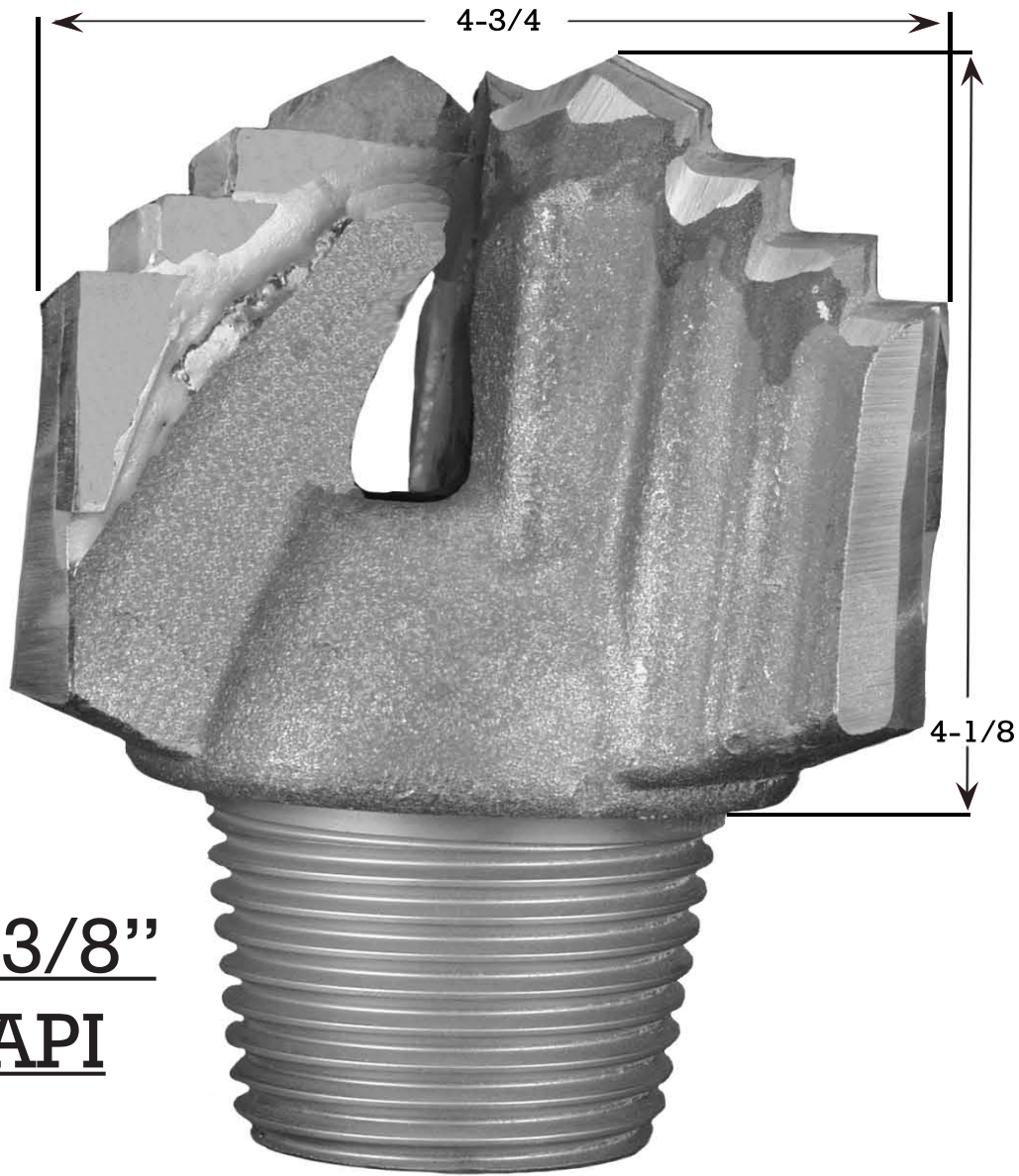
DBH-S3-I



Part No.	Shank/Pin Size	Approx lbs.
DBH-312API-I	3-1/2 API	28
DBH-S3-I	3 Sq	35

4-3/4 Pilot Bit

P6000



2-3/8"
API

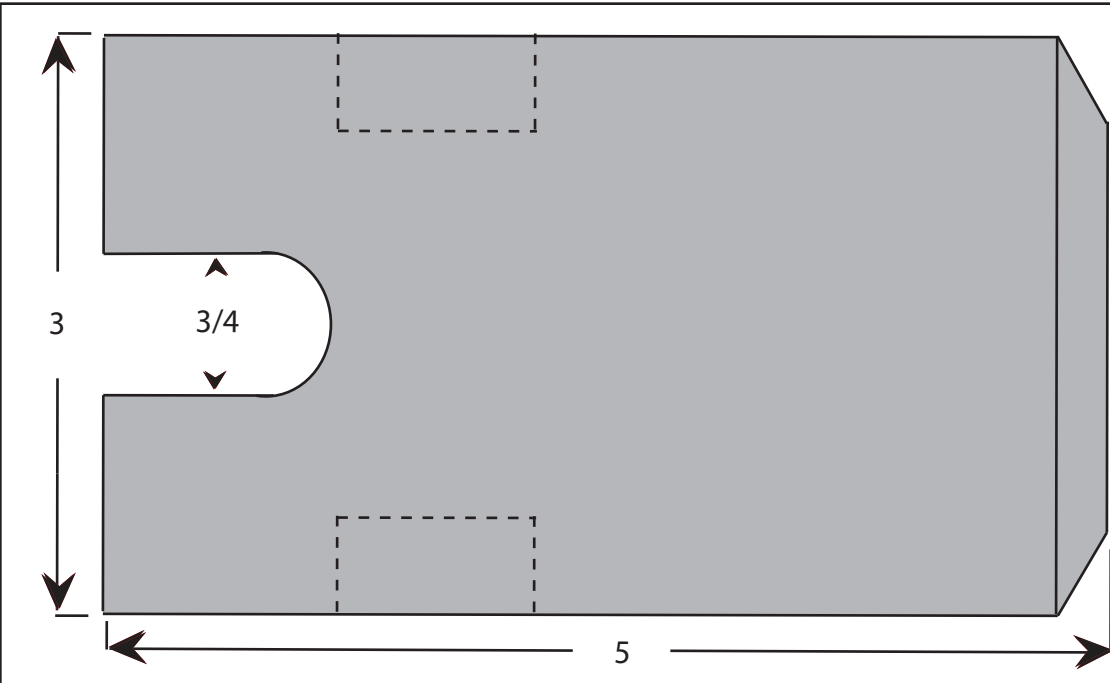
Part No.	Description	Pin Size	Approx lbs.
P-6000	4-3/4 Pilot Bit	2-3/8 API	6.7

Dirt Pilot Bits



A704A-I
Pilot

Use 24FP Flex Pin



A704G
Hub
for
A704A-I

3 Wing Step Bits

2-3/8" API REG Pin



Size	Part No.	Pin Size
3-1/4"	3W-SB3-1/4-238API	2-3/8"
3-1/2"	3W-SB3-1/2-238API	2-3/8"
3"	3W-SB3-238API	2-3/8"
3-7/8"	3W-SB3-7/8-238API	2-3/8"
4"	3W-SB4-238API	2-3/8"
4-1/4"	3W-SB4-1/4-238API	2-3/8"
4-1/2"	3W-SB4-1/2-238API	2-3/8"
4-3/4"	3W-SB4-3/4-238API	2-3/8"
5-1/4"	3W-SB5-1/4-238API	2-3/8"
5-1/2"	3W-SB5-1/2-238API	2-3/8"
5-3/4"	3W-SB5-3/4-238API	2-3/8"
5-7/8"	3W-SB5-7/8-238API	2-3/8"
6"	3W-SB6-238API	2-3/8"
6-1/8"	3W-SB6-1/8-238API	2-3/8"
6-3/4"	3W-SB6-3/4-238API	2-3/8"
7"	3W-SB7-238API	2-3/8"
8"	3W-SB8-238API	2-3/8"

3 Way Step Bits

3-1/2" API REG Pin



Size	Part No.	Pin Size
6"	3W-SB6-312APIP	3-1/2"
6-1/4"	3W-SB6-1/4-312APIP	3-1/2"
6-1/2"	3W-SB6-1/2-312APIP	3-1/2"
7-1/4"	3W-SB7-1/4-312APIP	3-1/2"
7-7/8"	3W-SB7-7/8-312APIP	3-1/2"
8"	3W-SB8-238APIP	3-1/2"
9"	3W-SB9-238APIP	3-1/2"
9-3/4"	3W-SB10-238APIP	3-1/2"

NWJ (NWML) Pin



Size	Part No.	Pin Size
6"	3W-SB6-NWJP	NWJ

Bullet Pilots

2-3/8" API REG Pin



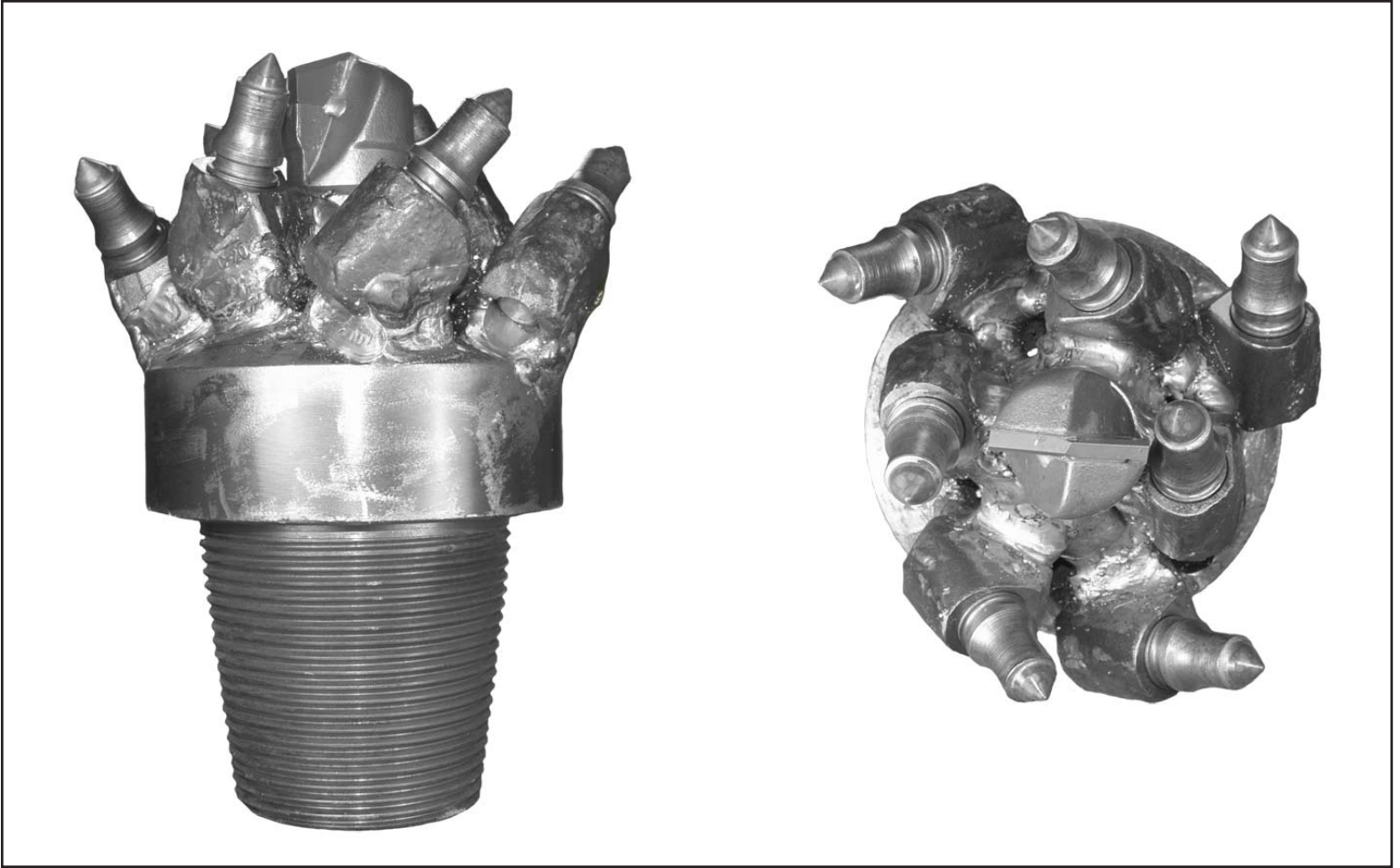
Size	Part No.	Pin Size	Bits
5-1/2"	4TP-238API-.735-I	2-3/8" API	C23
5-1/2"	4TP-238API-.765-I	2-3/8" API	RL08
5-1/2"	4TP-238API-.875-I	2-3/8" API	SL02
8"	6TP-238API-.765-B	2-3/8" API	RL08

1-3/4" Square Pin



Size	Part No.	Pin Size	Bits
5-1/2"	4TP-134S-.735-I	1-3/4" Square	C23
5-1/2"	4TP-134S-.765-I	1-3/4" Square	RL08
5-1/2"	4TP-134S-.875-I	1-3/4" Square	SL02

Drill-Claw

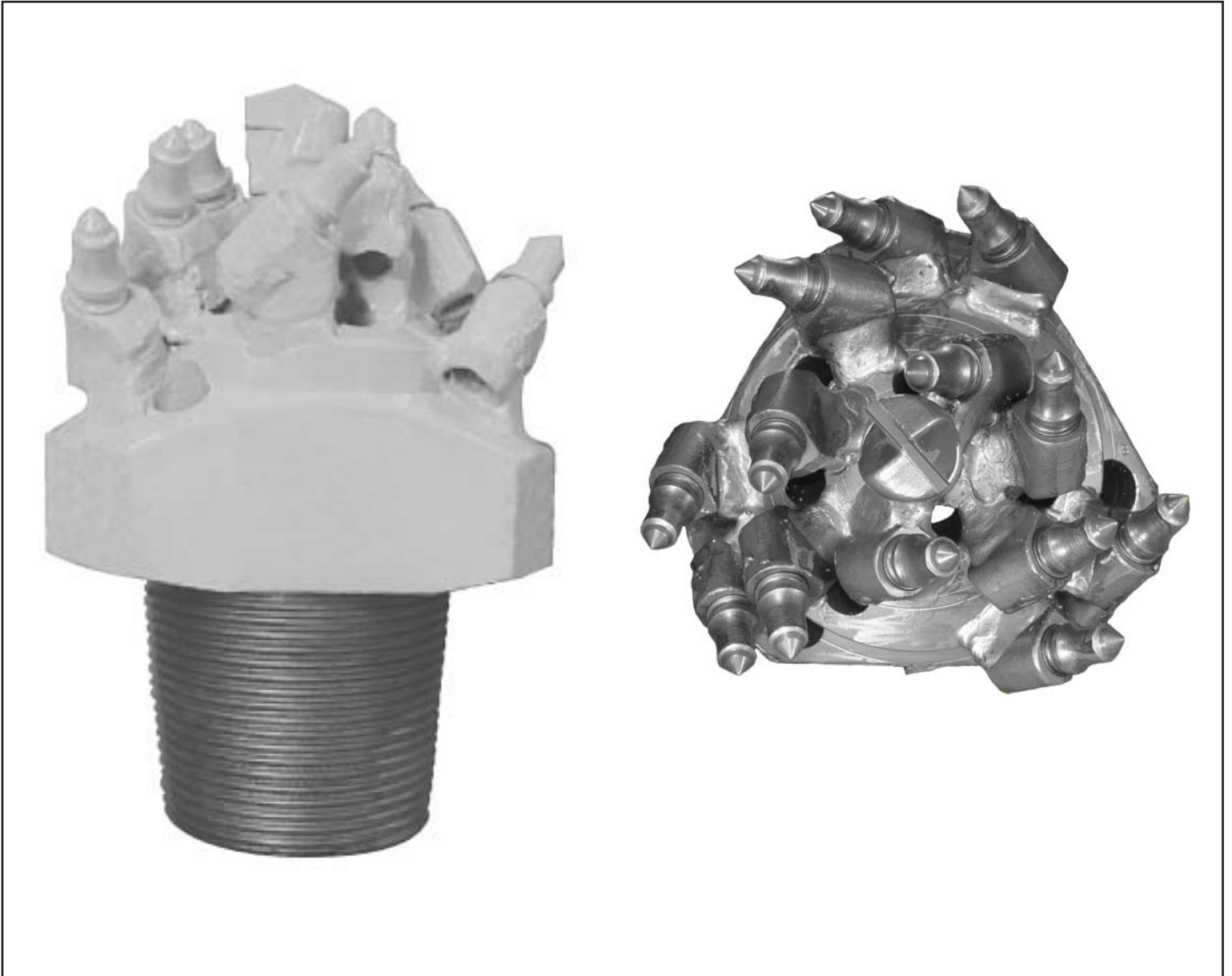


• **Soft to Medium Formations** • **Very Soft Clay**

• **Sand Rock** • **Hard Shale**

Size	Part No.	Pin Size	Bits
4-1/2"	DC412-238	2-3/8 API	CM66
4-3/4"	DC434-238	2-3/8 API	CM66
5-1/4"	DC514-238	2-3/8 API	CM66
4-3/4"	DC514-238	2-7/8 API	CM66
5-1/2"	DC434-278	2-7/8 API	CM66
5-1/2"	DC512-312	3-1/2 API	C23 (4)
5-5/8"	DC0558-312	3-1/2 API	C23 (4)
5-7/8"	DC0578-312	3-1/2 API	C23 (4)
6"	DC0600-238	2-3/8 API	C23 (4)
6"	DC0600-312	3-1/2 API	C23 (4)
6-1/4"	DC0614-312	3-1/2 API	C23 (4)

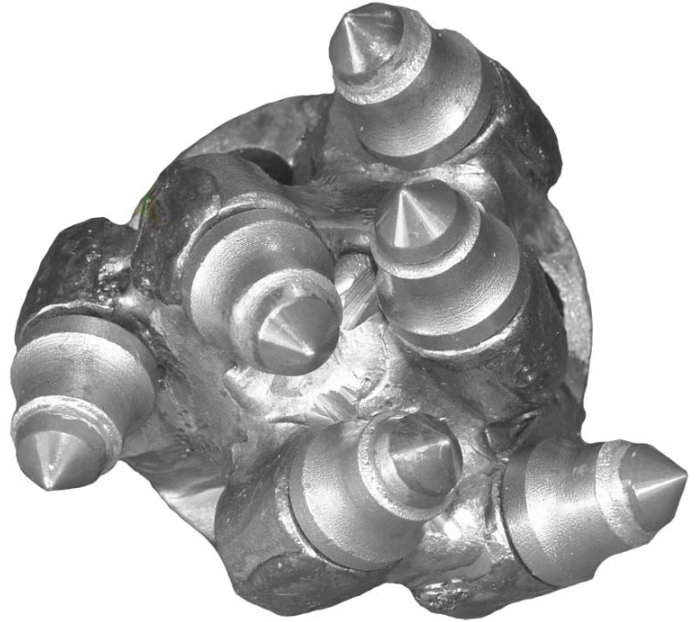
Size	Part No.	Pin Size	Bits
6-1/2"	DC0612-312	3-1/2 API	C23 (5)
6-3/4"	DC0634-312	3-1/2 API	C23 (5)
7-7/8"	DC0778-412	4-1/2 API	C23 (5)
8-1/2"	DC0812-412	4-1/2 API	C23 (5)
8-3/4"	DC0834-412	4-1/2 API	C23 (8)
9"	DC0900-412	4-1/2 API	C23 (8)
9"	DC0900-658	6-5/8 API	C23 (8)
9-7/8"	DC0978-658	6-5/8 API	C23 (8)
10-5/8"	DC1058-658	6-5/8 API	C23 (9)
12-1/4"	DC1214-658	6-5/8 API	C23 (9)



- **Medium Soft to Medium Hard Formations**

Size	Part No.	Pin Size	Bits
6-1/2"	MC612-312	3-1/2 API	C23 (6)
6-3/4"	MC634-312	3-1/2 API	C23 (6)
7-7/8"	MC778-412	4-1/2 API	C23 (7)
8-3/4"	MC834-412	4-1/2 API	C23 (8)
9"	MC9-412	4-1/2 API	C23 (9)
9-7/8"	MC978-658	6-5/8 API	C23 (9)
10-5/8"	MC1058-658	6-5/8 API	C23 (14)
12-1/4"	MC1214-658	6-5/8 API	C23 (17)

Earth-Claw



Size	Part No.	Pin Size	Bits
3-7/8"	EC378-238	2-3/8 API	CM66 (5)
4-1/4"	EC414-238	2-3/8 API	CM66 (5)
4-1/2"	EC412-238	2-3/8API	CM66 (5)
4-3/4"	EC434-238	2-3/8API	CM66 (5)
5-1/4"	EC514-278	2-7/8API	CM66 (6)

Designed specifically for the geothermal drilling industry. Its construction is more versatile and its performance is superior to other smaller bullet bits previously available.

Tri-Cone Bits

Steel Mill Tooth Bit

3-1/2" API REG Pin



Size	Part No.	Pin Size
6"	TCB6-MT-312API	3-1/2" API

